

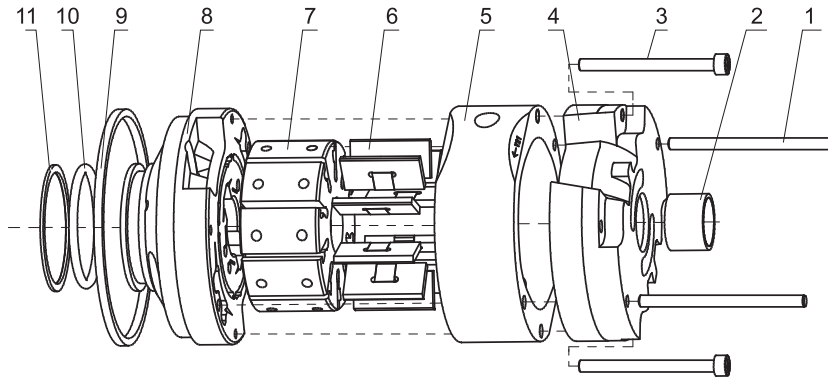
V SERIES - CARTRIDGE

Model Designation

(F3-)	PC-	25V	19	R	10
Note	Cartridge mark	Series	Flow code	Rotation	Design number
No-marking: Petroleum series oil emulsification fluid water glycol-fluid F3:phosphate ester fluid	PC- Cartridge kit of single pump double pump shaft end	20V	2、3、4、5、6、7、8、9、10、11、12、14	(Viewed from shaft end of pump) L- Left hand for counter clockwise R- Right hand for clockwise	10
		25V	10、12、14、15、17、19、21、25		
	PCT- Cartridge kit of double pump cover end	35V	21、25、30、32、35、38、45		
		45V	42、45、50、57、60、66、75		

▽ USgpm Flow(USgpm) at 1200r/min and 0.69MPa

The data of relevant series ,model are unanimous. Please see V series-single pump data.



NO.	Part	Qty	NO.	Part	Qty	NO.	Part	Qty
1	Pin	2	5	Cam Ring	1	9	Retainer	1
2	Ball Bearing	1	6	Vane Kit	12	10	O Ring	1
3	Cross Pan Head Bolts	2	7	Rotor	1	11	Retainer	1
4	Inlet Support Plate	1	8	Outlet Support Plate	1			

Series	ØA	B	C	ØD	E	ØF	ØG	H	K	M (Gasket)	M(O-Ring)
20V	82.55	81.5	70.1	47	61.5	4.8	76.2	7	73.6	82.76x76.26x3.5	40x3.55
25V	96.8	98.8	87	52.2	71.2	4.8	90.5	7	88.19	97x91x3.5	44x3.53
35V	114.3	117.7	105	72.2	90.3	6.4	108	8	103.94	114.5x108.5x3.5	63.09x3.53
45V	133.35	141.1	129.6	80.2	105.5	6.4	127	8	123.8	133.6x127.6x3.5	71x3.55

Series	Inside spline tooth outline parameter of rotor				
	Number of teeth	Pitch	Pressure angle	Major Diameter	Minor Diameter
20V	30	48/96	45°	16.617	15.56
25V	40	48/96	45°	21.9	20.86
35V	37	40/80	45°	24.38	23.10
45V	14	12/24	30°	32.59	27.6